

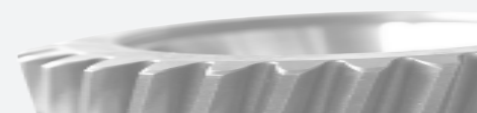
# 450

VTP H2F TRANSMISSION

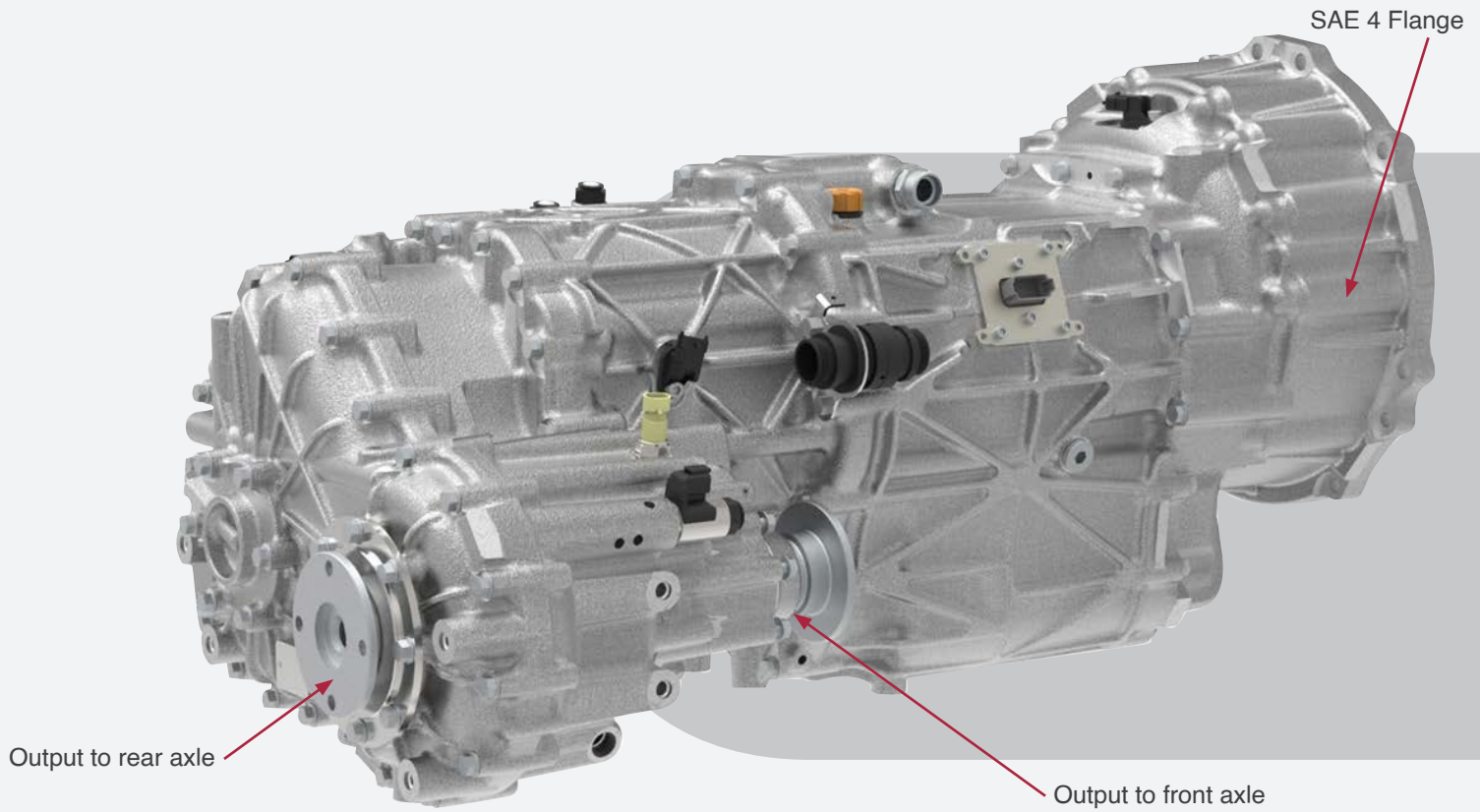
## VTP450 H2F - TECHNICAL DATA

TRANSMISSION CONFIGURATION	VTP450 H2F AWD HYDROSTATIC DRIVE, 2 POWERSPLIT GEARS FORWARD	APPLICATIONS
Rated input speed	3800 rpm	High mobility vehicles
Maximum input torque	500 Nm	Municipal
Maximum output torque *)	2000 Nm	Fire & Rescue
Rated input power	170 kW (215 HP)	
Transmission ratios *)	rev. -6,0 to $-\infty$ fwd. $\infty$ to 0,77	
Hydropump / Hydromotor	Bosch Rexroth 45/45 compact	
Electric Control Unit	Bosch RC30	
Electric interface	CAN-J1939	
Engine Flange	SAE 4	
AWD	Included 50 / 50	
Options	Drive through PTO, mechanical difflock	

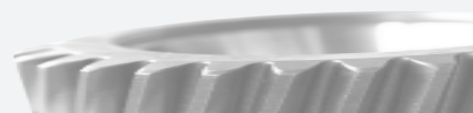
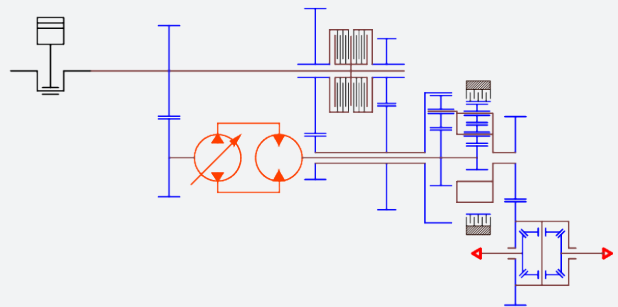
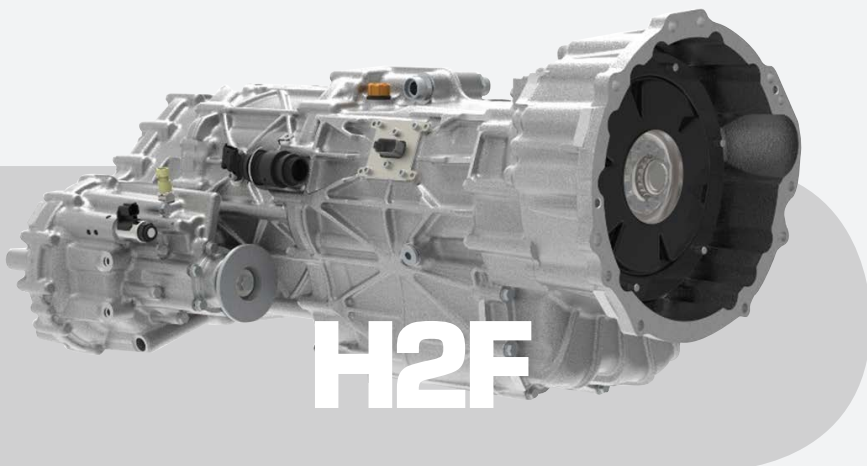
\*)Different output ratios available - for further information visit our website [www.vds-getriebe.at](http://www.vds-getriebe.at) or contact us via Email: [sales@vds-getriebe.at](mailto:sales@vds-getriebe.at)

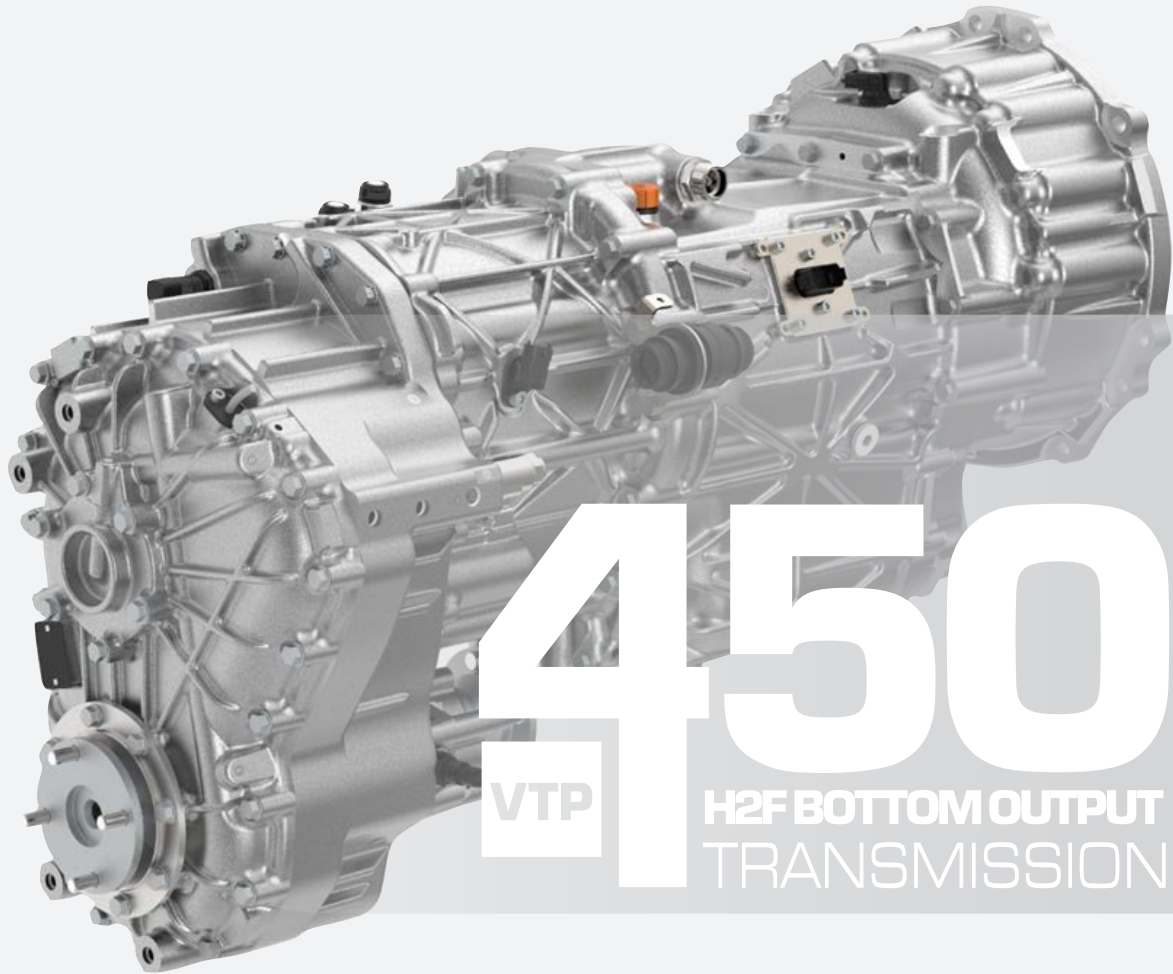


## VTP450 H2F TRANSMISSION CONFIGURATION



## VTP450 H2F





# 450

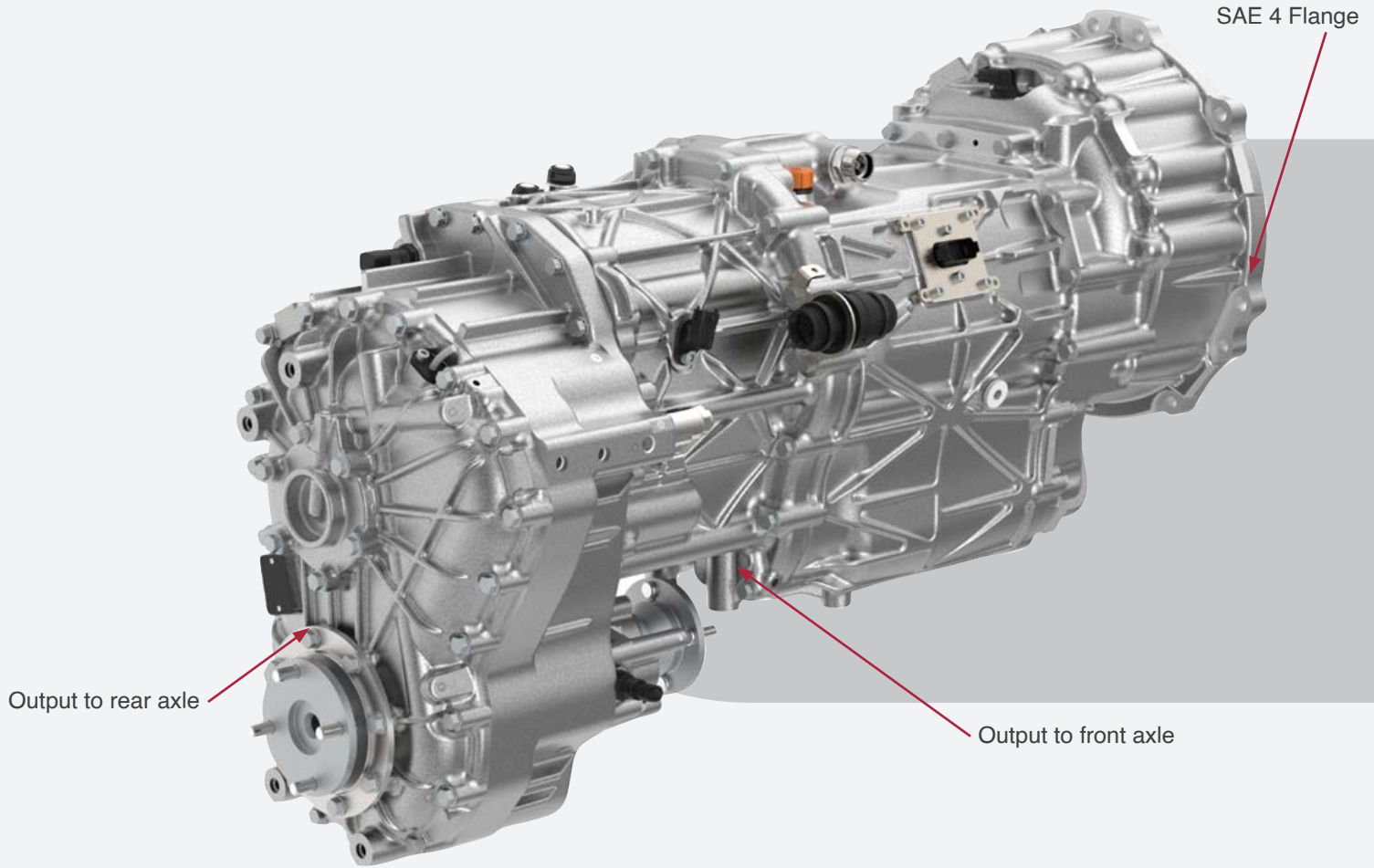
VTP H2F BOTTOM OUTPUT  
TRANSMISSION

## VTP450 H2F BOTTOM OUTPUT - TECHNICAL DATA

TRANSMISSION CONFIGURATION	VTP450 H2F AWD HYDROSTATIC DRIVE, 2 POWERSPLIT GEARS FORWARD	APPLICATIONS
Rated input speed	3800 rpm	High mobility vehicles
Maximum input torque	500 Nm	Municipal
Maximum output torque *)	2000 Nm	Fire & Rescue
Rated input power	170 kW (215 HP)	
Transmission ratios *)	rev. -6,0 to $-\infty$ fwd. $\infty$ to 0,77	
Hydropump / Hydromotor	Bosch Rexroth 45/45 compact	
Electric Control Unit	Bosch RC30	
Electric interface	CAN-J1939	
Engine Flange	SAE 4	
AWD	Included 50 / 50	
Options	Drive through PTO, mechanical difflock	

\*)Different output ratios available - for further information visit our website [www.vds-getriebe.at](http://www.vds-getriebe.at) or contact us via Email: [sales@vds-getriebe.at](mailto:sales@vds-getriebe.at)

## VTP450 H2F BOTTOM OUTPUT TRANSMISSION CONFIGURATION



## VTP450 H2F BOTTOM OUTPUT

